

SPARE PARTS

CATALOGUE

MODEL 1969

máquinas

250 MC (MOTO-CROSS)

and

250 AS (SCRAMBLER apendix)

ENGINE

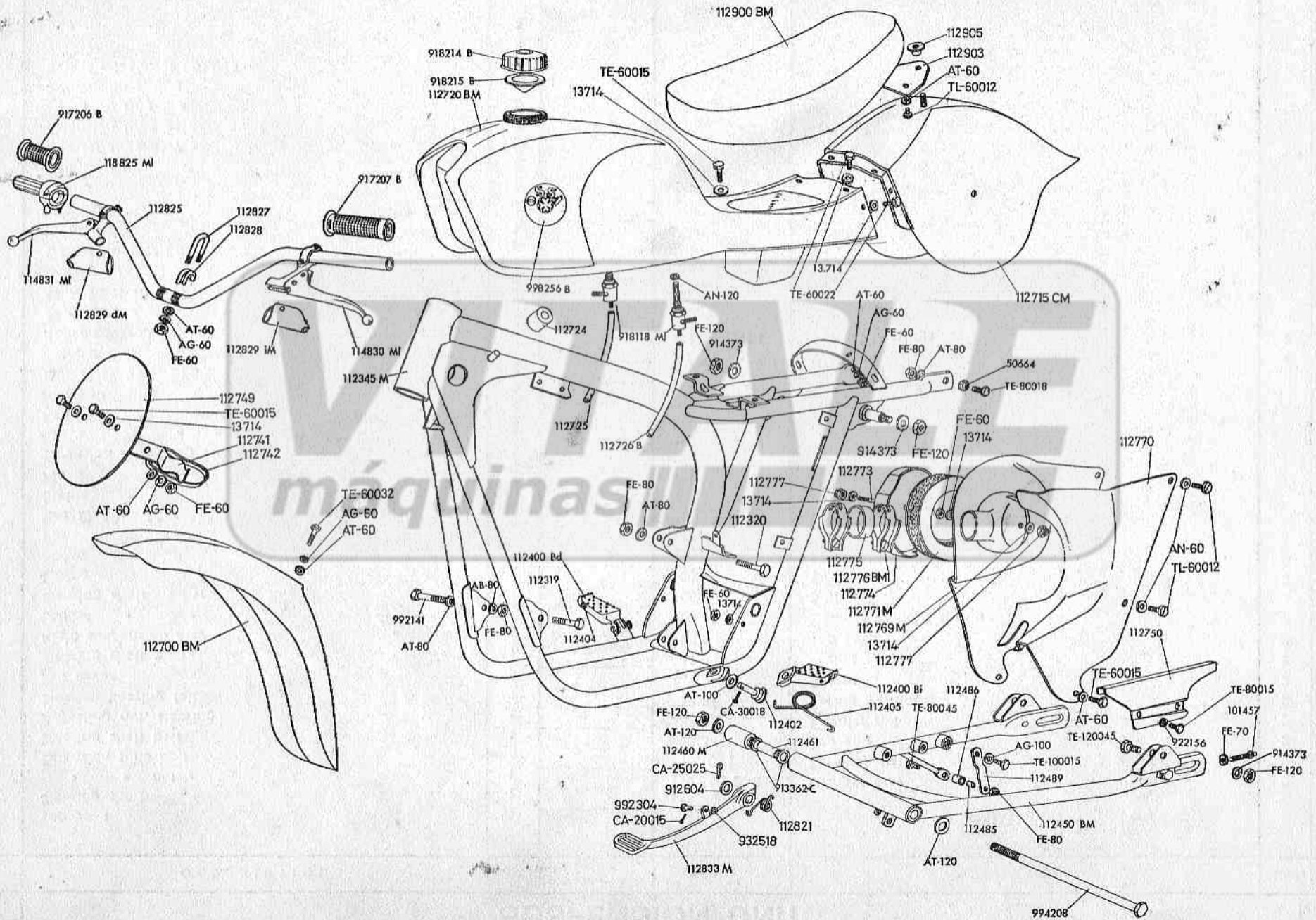
Part Number	DESCRIPTION	Quanti.	Valid from unit n°	Part Number	DESCRIPTION	Quanti.	Valid from unit n°	Part Number	DESCRIPTION	Quanti.	Valid from unit n°
118.051 MI	Engine assembly	1		911.611	Bolt, engine cases	14		991.608	Anchor pin, hair pin spring	1	
33.176 I-II-IV	Shim washer lay shaft	—		911.614	Screw, engine cases	4		991.609	Inspection cover	1	
50.404 I-II-IV-X	Shim washer lay Selector	—		911.617	Washer prain plug	1		991.610	Inspection cover gasket	1	
50.659	Washer	1		911.712	Rubber kickstarter	1		991.611	Wiring Rubber protector	1	
101.019	Stop belt kick	1		913.313	Nut clutch hub	1		991.612 B	Air breather tube	1	
102.005	Wristpin	1		921.111	Shim washer main shaft	—		991.614	Magneto case screw	2	
111.004	Connectine Rod	1		921.112	Shim washer main shaft	—		991.615	Primary case screw	3	
111.009	Cylinder gasket	1		921.113	Shim washer main shaft	—		991.701	Ratchet kickstarter engaging	1	
111.010 M	Crankshaft assy	1		921.617	Washer prain plug	1		991.702 B	Kickstarter shaft	1	
111.010	Flywheel, clutch side	1		941.205	Cireclip, mainshaft	3		991.703	Kickstarter spring	1	
111.011	Flywheel, magneto side	1		941.209	Spacer, output shaft	1		991.704	Kickstarter spring washer	2	
111.017	Stud carburetor	2		941.212	Lock washer, output shaft	1		991.706	Kickstarter shaft circlip	1	
111.018	Stud, cylinder head	4		942.167	Nut, stop bolt	1		991.707	Kickstarter engaging spring stop	1	
111.019	Nut, intake manifold	2		958.010	Flat washer, layshaft	1		991.708	Kickstarter engaging spring stop	1	
111.075	Sproket clutch	1		964.210	Flat washer, selector shaft	1		991.709	Kickstarter shaft thrust washer	1	
111.076	Thrust washer	1		991.105 M	Rod brg. cage	1		991.710	Kickstarter gear thrust washer	1	
111.077	Spacer washer	1		991.107 B	Crank Shaft pin	1		991.713	Shaft bearing ring	1	
111.078 MI	Needle brg.	1		991.109 B	Piston circlips	2		991.714 BML	Kik assy	1	
111.080 M	Outer hub assy	1		991.112	Motor sproket	1		991.715	Kik lever	1	
111.080	Clutch drum	1		991.119	Shaft, cush-drive	1		991.716	Stop lever ring	1	
111.081	Clutch plate inner	1		991.120	Coupling cush-drive	1		991.717	Kik pin spring	1	
111.082 M	Clutch plate outer	1		991.121	Spring stop cush-drive	1		991.718	Kik pin spring	1	
111.083 M	Clutch hub assy	1		991.122	Spring stop cush-drive	1					
111.085	Cup clutch spring	5		991.123	Allen nut cush-drive	1					
111.086	Clutch spring	5		991.139 II-IV-X	Shim washer crankshaft	—					
112.031	Idling gear 1st.	1		991.140	Main brg. right	1					
112.112	Change outer gear	1		991.141	Main brg. left	1					
112.114	Driving gear 4th.	1		991.206	Lay shaft	1					
112.115	Spacer mainshaft	1		991.211	Shifting fork	1					
112.116 M	Needle brg. cage 4th. gear	2		991.214	Nut, transmission sproket	1					
112.118	Footshipt lever	1		991.215	Spring stop, selector	2					
112.130	Mainshaft	1		991.216	Oil seal	1					
112.132	Kikstarter driving gear	1		991.217	Secondary shaft washer	2		AB-80	Spring washer, engine case	1	
112.200 M	Engine cases	1		991.219	Thrust washer, selector shaft	1		ACF-6J	Washer oil level screw	1	
114.008	Cage big and bearing	1		991.221	Shifting fork shaft	1		AG-60	Lock washer clutch arm, inspection cover	3	
114.009	Roller big and bearing	14		991.223	Shifting fork 2nd. and 4th.	1		AG-120	Clutch hub lock washer	1	
114.080 MI	Magneto assy	1		991.234 M	Selector body assm.	1		AN-120	Flat washer detent	1	
114.081	Nut magneto flywheel	1		991.235	Thrust, washer selector	2		ASE-100	Snap ringfork shaft	2	
114.082	Supor kik lever ring	1		991.227 BM	Selector shaft assm.	1		ASE-180	Snap ringfork selector and kickstart	2	
114.101	2nd. bear primary sharft	1		991.228	Spring, selector shaft	1		AT-60	Clutch arm washer	1	
114.103	Sliding dog 2nd. and 4th.	1		991.229	Guide selector	1		AT-70	Carb. mounting washer	2	
114.108	Sliding dog 4th. and 3rd.	1		991.231	Anchor pin, selector	1		AT-80	Washer head and engine	5	
114.109	3th. gear on lay shaft	1		991.232	Anchor pin, spring selector	1		B-555	Clutch rod ball	1	
119.110	Shifting fork 1st. and 3rd.	1		991.234	Selector shaft washer	1		CA-10015	Clutch bolt cotter pin	5	
118.054	Piston ring	2		991.235	Petaining ring	1		CE-30014	Cotter pin kickstarter	1	
118.058	Gasket cylinder head	1		991.237	Selector shaft spring washer	1		FE-60	Clutch arm nut	1	
118.061 M	Cylinder assy	1		991.502	Driving clutch plate	5		FE-80	Nut clutch and engine	2	
118.064	Piston	1		991.503 CM	Idling clutch plate	5		KC-17-47-14	Bearing clutch	1	
118.086 MI	Carburator	1		991.511	Clutch rod	2		KC-25-52-15	Bearing transmission output shaft	1	
118.087	Carburator Ø 33	1		991.512	Plunger, clutch arm	1		SG-12-22-5	Gear change shaft seal	1	
118.203	Magneto cover	1		991.513	Clutch regulating sloted (screw)	1		SG-25-42-8 DL	Crank shaft seal	2	
991.131	Nut cylinder head	4		991.514	Clutch cam	1		SG-29-40-7	Transmission output shaft seal	1	
991.139 II-IV-X	Shim washer kick start shaft	1		991.515 BM	Clutch cam	1		SO-178-26	«O» ring kickstarter	1	
911.207	Brushing layshaft	2		991.518	Bushing, clutch arm	1		TE-60020	Gear change lever bolt	1	
911.218	Spring, hairpring	1		991.602 BM	Primary case assembly	1		TE-70022	Kickstarter bolt	1	
911.246	Rubber footshft lever	1		991.604	Kickstart shaft bushing	1		TE-80040	Engine bolt	1	
911.514 B	Slotted nut, clutch spring	5		991.605	Locating dovel engine case	3		TL-50015	Screw magneto back plate	3	
911.604	Prain plug	1		991.606	Gasket, center case	1		TL-60012	Clutch and cover and oil level bolt	3	
911.609 C	Locating dowel	4		991.607	Gasket, primary case	1		TS-60022	Engine bolt	2	
								XR-30013	Flywheel key	1	

COMMON PART

EDITION			
1			118700
2-69			

EDITION			
1			118700
2-69			

FRAME

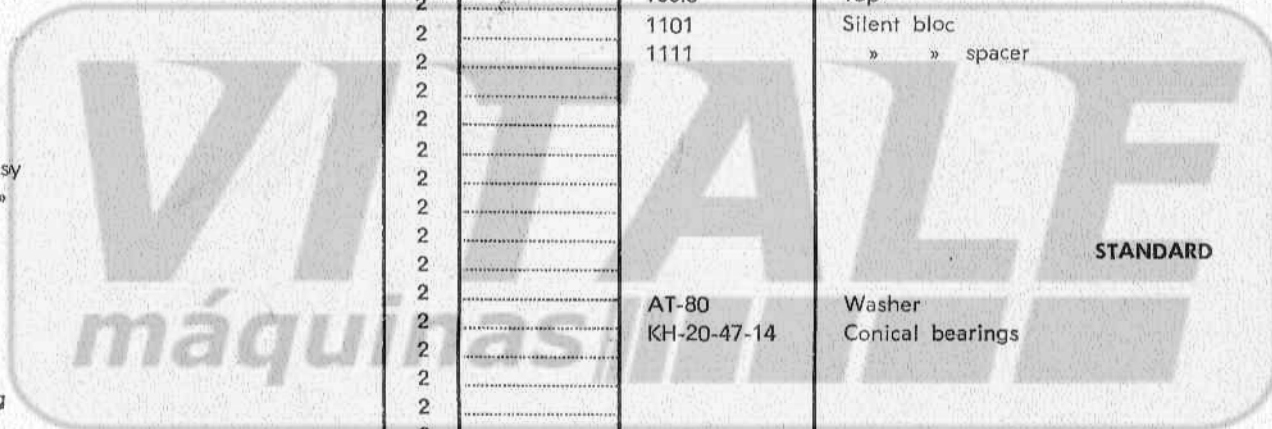


**MODEL
250 - MC**

SUSPENSION UNITS

3th. LIST

Part Number	DESCRIPTION	Quantity	Valid from unit n°r	Part Number	DESCRIPTION	Quantity	Valid from unit n°r
					DAMPERS		
112.530 M	Top yoke	1					
112.533 M	Steering shaft	1					
112.511	» » nut	1		112.580 BMI	Damper assy	2	
112.512	Extension tube bolt	4		11.1024	External washer	2	
112.513	Steering shaft bolt	1		32.2	Top end	2	
112.517	Adjusting nut, steering	1		32.5	Counter nut	2	
112.518	Steering bearing felt	2		32.6	Spring positioner	2	
112.519	Felt cover	2		41.2	Spacer	2	
112.521	Steering shaft plug	1		41.8	Spring spacer	2	
112.545 MI	Right suspension assy	1		92.6	Top cover	2	
112.546 MI	Left » »	1		100.1	Domper without spring	2	
923.415	Steering shaft washer	1		100.2	Spring	2	
18.1031	Spring	2		100.3	Top	2	
31.2.2	Piston	2		1101	Silent bloc	8	
31.2.3	Pin	2		1111	» » spacer	2	
31.2.4	Ball Ø 10 = 11	2					
31.2.5	Spring	2					
31.2.6	Pin	2					
31.3	Extension tube plug assy	2					
31.3.1	» » » »	2					
31.3.2	Ball Ø 4	2					
31.3.3	Ball bolt	2					
31.4	Gasket Ø 31 x 24'6	2					
31.6	Domper bolt	2		AT-80	Washer	4	
31.11	Ruber cover	2		KH-20-47-14	Conical bearings	2	
31.12	Ø 47 circlip	2					
31.13	47 x 35 x 10 seal ring	2					
31.14	Cable ring	2					
31.15	Gasket domper bolt	2					
47.1.D	Right leg	1					
47.1.1	Left leg	1					
47.4	Spring	2					
73.1	Damper assy	2					
73.1.1	Damper tube assy	2					
73.2	Extension tube assy	2					
73.3	» ring »	2					
73.4	Suspension spring	2					
301035	Braket mikalorret 301.035	2					
HI.507	Washer	2					
HI.509	Belt	2					



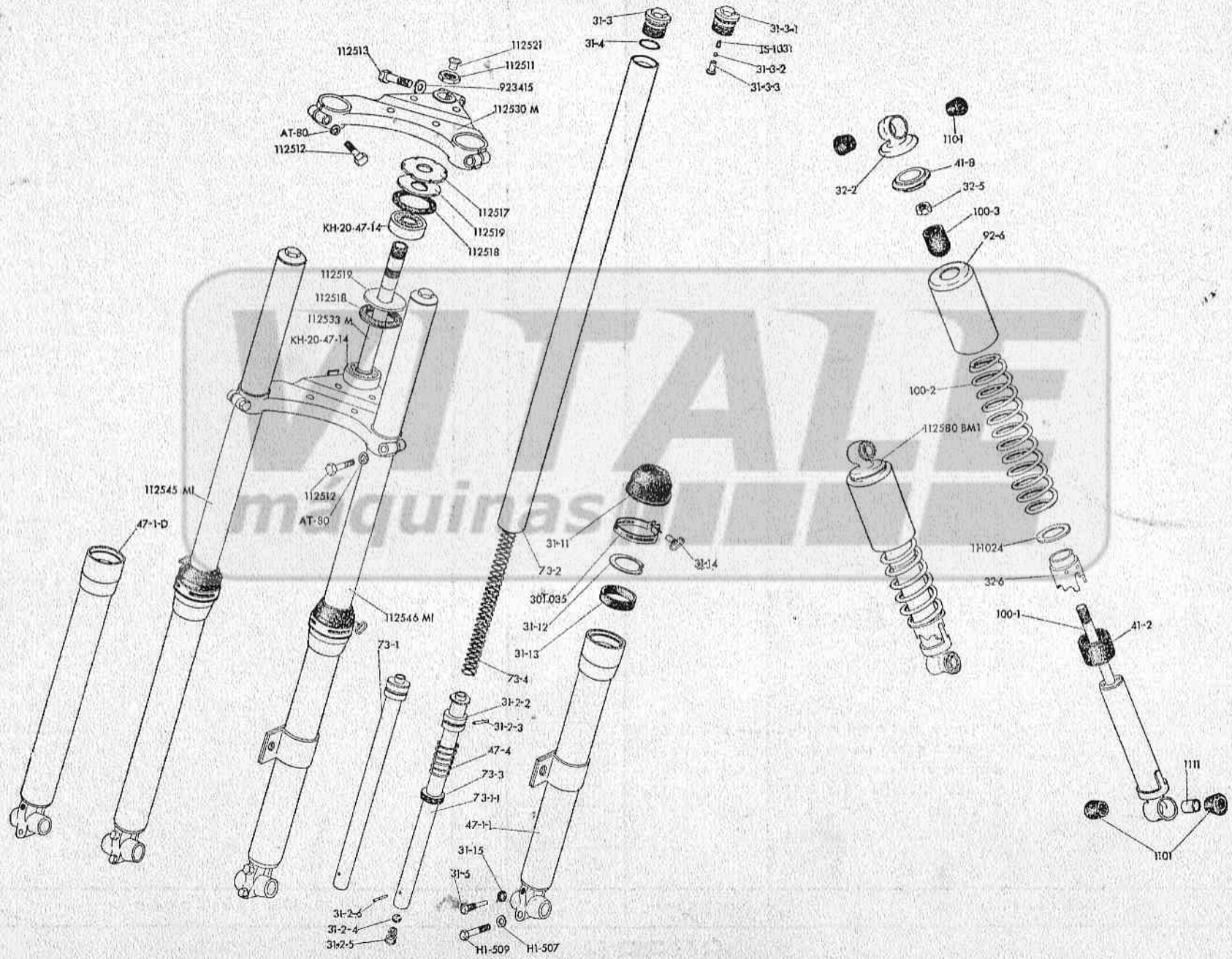
EDITION

1				118700
2-69				

EDITION			
1			118700
2-69			

SUSPENSION UNITS

250-MC



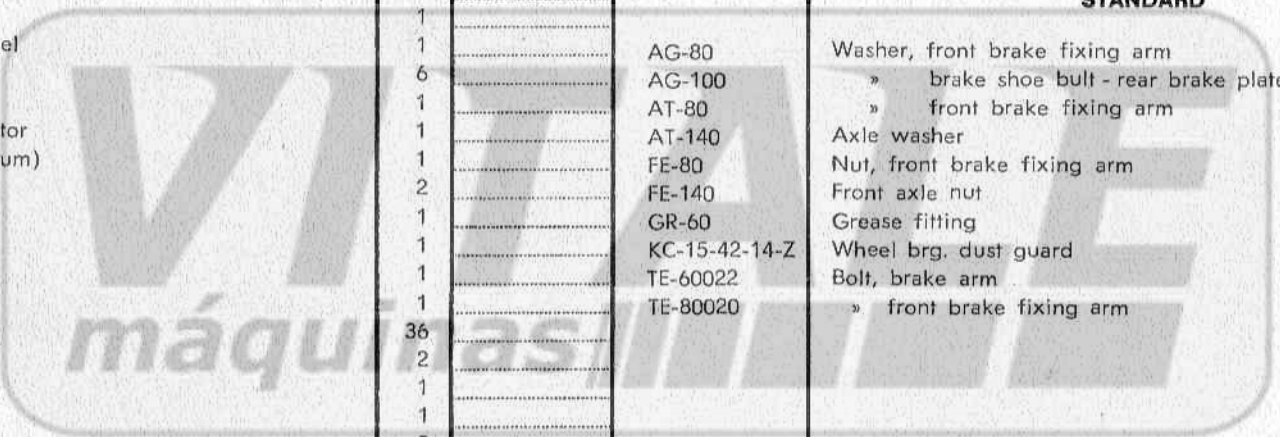
**MODEL
250-MC**

WHEELS

4th. LIST

Part Number	DESCRIPTION	Quantity	Valid from unit n ^o	Part Number	DESCRIPTION	Quantity	Valid from unit n ^o
112.602	Front axle	1		993.305	Aligning washer spacer tube	4	
112.604	Nut brake shoe mount	1		993.357 dMI	Brake shoe assy leading	2	
112.605	Bolt » » »	1		993.357 tMI	» » » trailing	2	
112.606	Arm, anchor plate rear brake	1		994.303	Spacer tube rear wheel	1	
112.607	Spacer front wheel	1		994.305 B	Securing plate rear sproket	3	
112.614 MI	Tyre dog	2		994.312	Rear wheel brake arm	1	
112.632	Innertube	1		994.313 M	Anchor plate rear wheel	1	
112.633	Rubber innertube protector	1					
112.638	Spoke nipples	72					
112.639	Front wheels spoke	36					
112.641	Front tyre	1					
112.646	Front rim	1					
112.651	Rear wheel axle	1					
112.653 B	Sproket support	1					
112.654 M	Thrust washer rear wheel	1					
112.655 B	Sproket bolts	6					
112.658	Innertube	1					
112.659	Rubber innertube protector	1					
112.660	300 x 18" rim (aluminium)	1					
112.664 MI	Rear tyre dog	2					
112.671	Rear tyre	1					
112.683	Back sprocket	1					
114.611 M	Front hub	1					
114.661 BM	Rear »	1					
114.671 B	» spokes	36					
914.364	Bolt anchor plate	2					
923.315	Nut brake shoe mount	1					
943.354	Bolt » » »	1					
943.355 M	Brake cam assy	2					
943.357 dM	Front (leading) brake shoe	2					
943.357 iM	Trailing » »	2					
943.359 B	Brake linings	4					
943.360	Spring brake shoe	4					
943.362	Felt hub washer	2					
943.364	Front brake arm	1					
943.367	Thrust washer brake	2					
943.372	Brake cam spacer washer	2					
944.355 M	» shoe backing plate	2					
944.357 M	Gear ring assy	1					
944.367	Axle nut rear wheel	2					
993.303	Spacer tube front wheel	1					

STANDARD

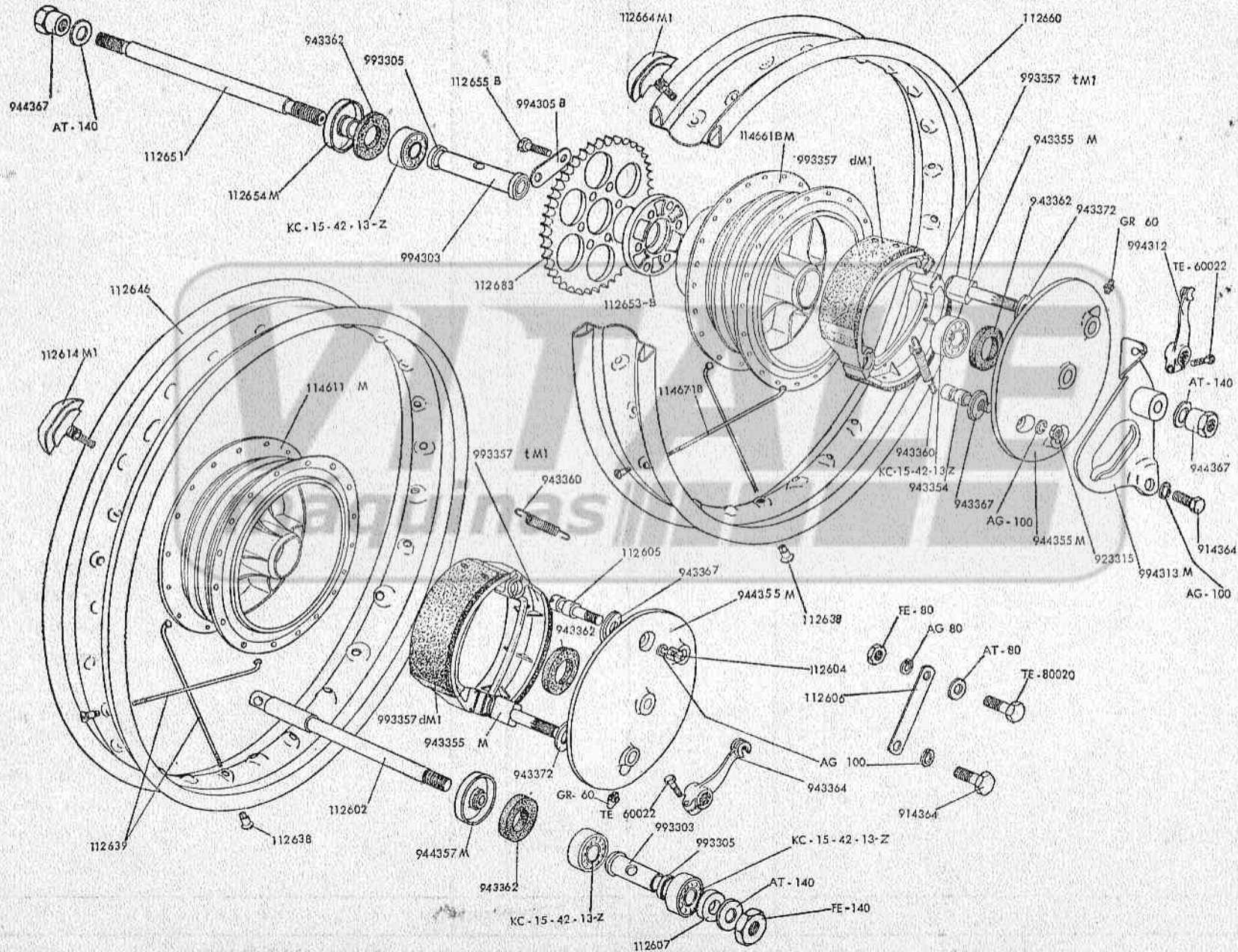


EDITION

1				118700
2-69				

EDITION			
1			118700
2-69			

WHEELS

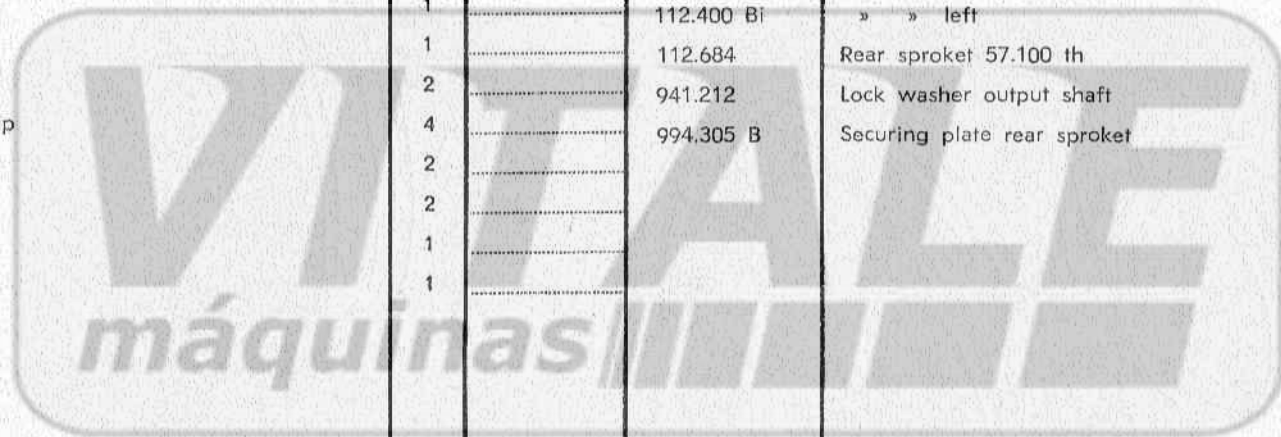


MODEL
250-MC

ELECTRICAL ASSEMBLY AND EXHAUST COMPONENTS

5th. LIST

Part Number	DESCRIPTION	Quantity	Valid from unit n ^{er}	Part Number	DESCRIPTION	Quantity	Valid from unit n ^{er}
112.855	Rubber ring, rear cable	1			AVAILABLE SPECIAL PARTS FOR THIS MODEL Jet 70 » 80 » 100 » 125 Output gear 11 tooth » » 13 » Foot rest right » » left Rear sproket 57.100 th Lock washer output shaft Securing plate rear sproket		
112.860 M	Rear cable assy	1		118.088			
112.921	Exhaust nut	1		112.052			
112.945 M	»	1		118.089			
112.946 M	Exhaust silent bloc	2		112.054			
114.840 M	Front brake cable assy	1		112.113			
114.842 M	Clutch cable assy	1		112.140			
114.846 MI	Electrical covertor	1		112.400 Bd			
118.841 M	Throttle cable assy	1		112.400 Bi			
911.133	Spark plug cap	1		112.684			
917.108	Stop, outer cable	2		941.212			
918.231	Nut, muffler cone clamp	4		994.305 B			
932.553	Exhaust spring ring	2					
948.212	Exhaust spring	2					
996.028 MI	Junction block	1					
998.303	Exhaust pipe gasket	1					
STANDARD							
AG-60	Washer, convertor and tailligh						
AT-60	» » » »						
AT-80	Exhaust washer						
FE-60	Bolt, convertor and tailligh						
TE-60015	» » » »						

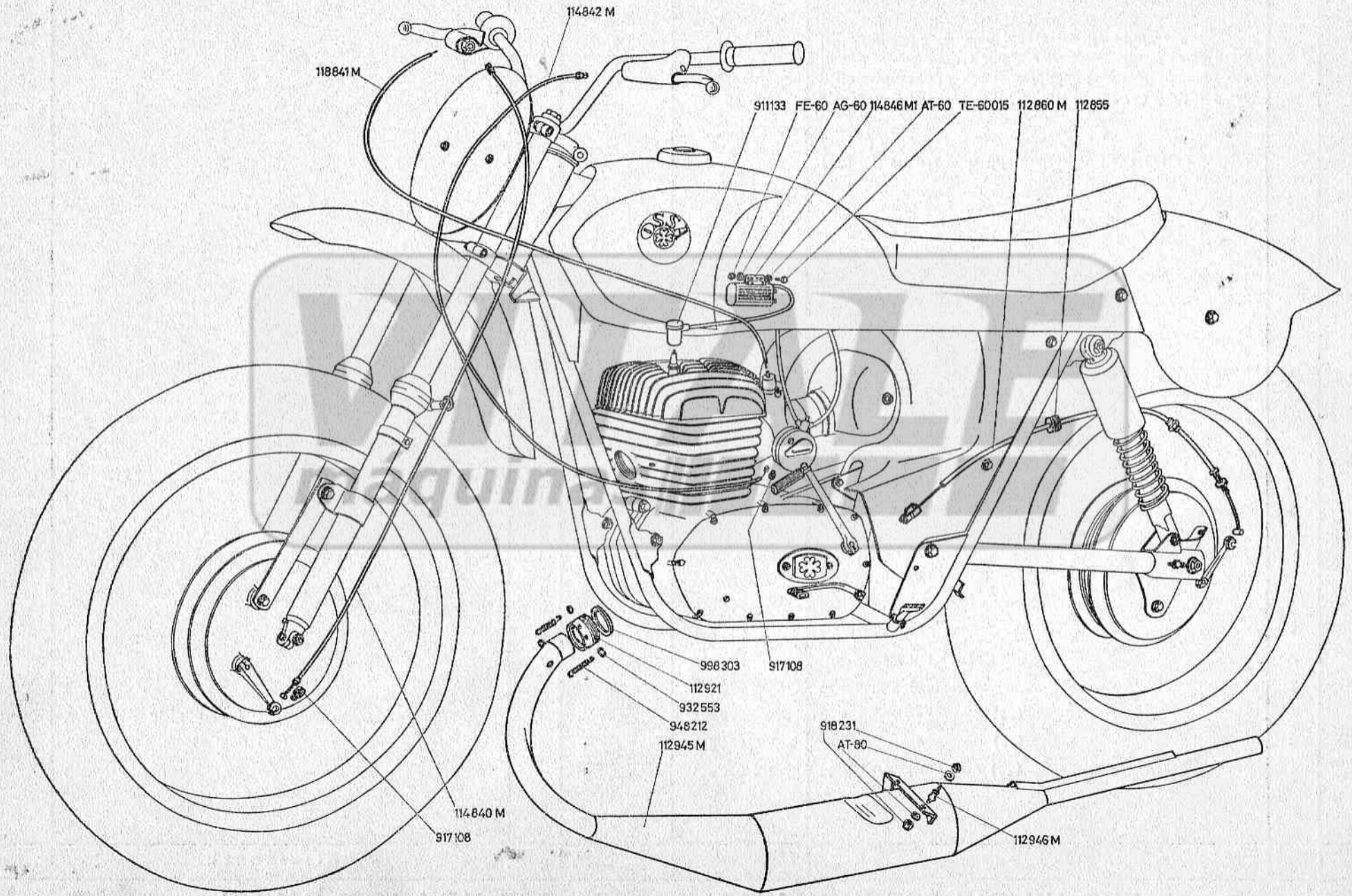


EDITION			
1			118700
2-69			

EDITION			
1			118700
2-69			

ELECTRICAL ASSEMBLY AND EXHAUST COMPONENTS

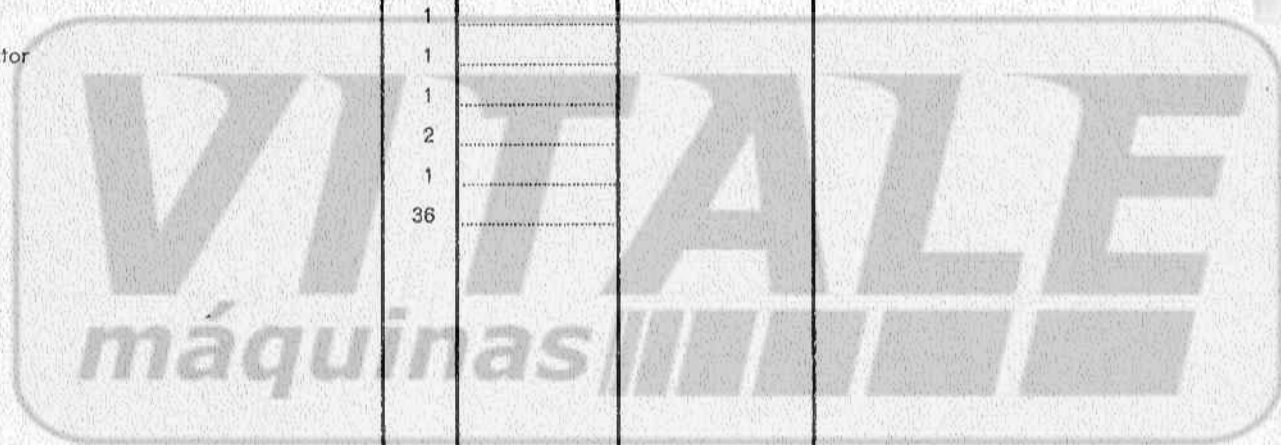
250-MC



**MODEL
250-AS**

PARTS LIST FOR 250 AS - DIFFER FROM 250 MC MODEL

Part Number	DESCRIPTION	Quantity	Valid from unit n ^{er}	Part Number	DESCRIPTION	Quantity	Valid from unit n ^{er}
ENGINE				BODY			
118.057	Cylinder head	1		112.703 MI	Mudguard clamp assy (**)	2	
118.068	Compresion release plug (**)	1		112.703	» » (**)	2	
118.069	Washer C. R. plug (**)	1		938.365	Bolt » » (**)	2	
				938.366	Clamp lock (**)	2	
				938.367	» » nut (**)	2	
				112.704	Front mudguard	1	
				112.761	SCRAMBLER decal	1	
				114.770	«Made in Spain» decal	1	
WHEELS							
112.610	Inner tube front wheel	1					
112.611	Rubber innertube protector	1					
112.640	Front tyre	1					
112.664 MI	Tyre dog	2					
114.620	Front rim	1					
114.621 B	» wheels spoke	36					



(**) The parts with this indication, have not equivalent for 250 motox.

NOTE. — When ordering the parts n. 112.749 front number plate and 112.715 CM rear fender (both of common use in 250 cc. moto cross and 250 cc. SCRAMBLER) to be available for 250 Scrambler, please specify colors.

EDITION				
1				118700
2-69				